

Floor/ceiling fire and acoustic rated systems

Product	BPB Plasterboard
System	Timber floor/ceiling system
System Number	TGDF30
Fire Resistance Rating	30/30/30
Plasterboard System	1 Inner Layer 10mm BPB Firestop and 1 Outer Layer 13mm BPB Firestop

Framing

Flooring joists are Radiata pine and shall comply with NZS 3604;1990 or NZS 3603;1993. Joists shall be a minimum size of 250mm x 50mm and spaced at no more than 600mm centres. Blocking should be fixed at a maximum of 1800mm centres including the edges of the floor/ceiling.

Flooring

Flooring shall be nominal 20mm thick particleboard or 19mm thick flooring grade plywood and fixed as per manufacturers, instructions. Nogs fixed on flat to receive edges of particleboard should be minimum 100 x 50mm.

Steel Furring Channel

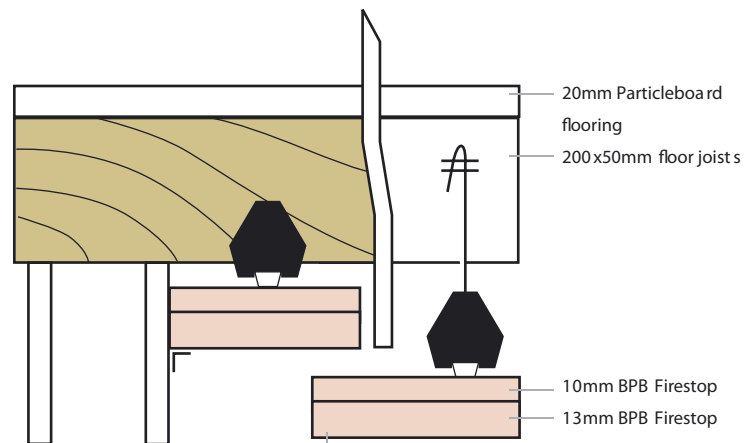
Steel furring channels separately designed for serviceability criteria, are spaced at a maximum of 600mm centres and fixed to the joists with direct fix clips at a maximum of 1200mm centres.

Lining

One inner layer of 10.0mm BPB Firestop fixed directly across the furring channels followed by one outer layer of 13.0mm BPB Firestop offset. All butt joints must occur on furring channels.

Fixing

Ceiling sheets shall be fixed at 200mm centres along each furring channel and to end butt joints using single fastener screw fixings. Stagger all sheet joints between layers.



Fasteners	Drywall Screws 12mm from sheet edge
Inner 10mm	32mm x 6g Bugle head
Outer 13mm	50mm x 7g Bugle head

Corners

The internal joint between ceilings and walls shall be protected by plasterboard coving or a tape reinforced corner.

Jointing

All fastener heads stopped and all sheet joints reinforced with paper jointing tape to outside layer only and stopped in accordance with AS/NZS 2589.1.



With no insulation



With the use of R1.8 Insulation